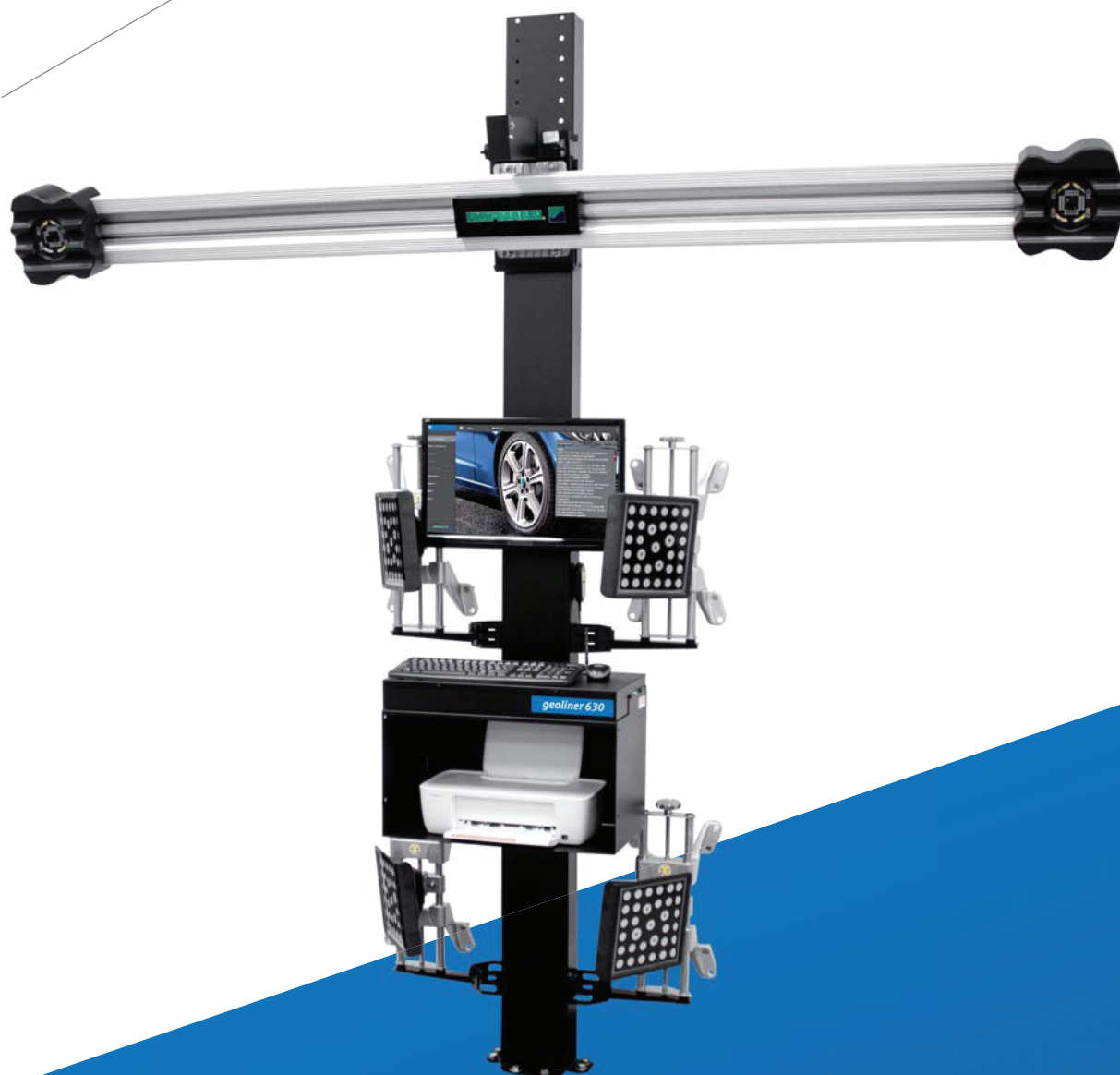


3D GEOMETRIJA KOTACA



GEOLINER[®] 630



GENERALNI UVOZNIK ZA HRVATSKU - RONDO D.O.O. DALMATINSKIH BRIGADA 11 MATULJI
51211 MATULJI, TEL 051 275 089 , FAX 051 273 567
EMAIL : INFO@HOFMANN.HR , WEB : WWW.HOFMANN.HR





USES IMAGING TECHNOLOGY TO REDUCE SETUP AND MEASUREMENT TIMES

Utilizing advanced imaging technology, the Hofmann® geoliner® 630 provides accurate, real-time measurements - reducing setup and measurement times while generating serious productivity benefits. Matched with our latest software, the *geoliner* 630 wheel aligner will have your technicians getting readings in a matter of minutes.

NEXT GENERATION USER INTERFACE WITH INTELLIGENT, PREDICTIVE ALIGNMENT FLOW

- Quick access to vehicle history from the home screen
- All new graphic display optimized for maximum clarity and visibility

VIDEO SPEED CAMERAS CONSTANTLY MONITOR THE ALIGNMENT AND PROVIDE CRITICAL INFORMATION TO GET THE JOB DONE RIGHT

- Detection of common environmental conditions and vehicle problems that result in maladjustment

PATENTED VODI™ (VEHICLE ORIENTATION DIRECTIONAL INDICATOR)

- Guides the technician through the measuring process, reducing the amount of time spent walking back and forth from the vehicle to the aligner

PASSIVE FRONT AND REAR TARGETS

- Improved durability with no electronics to damage

ONLINE CONNECTIVITY AUTOMATICALLY DOWNLOADS SPECIFICATIONS & SOFTWARE UPDATES

- Requires customer provided wireless internet connection
- One year of specifications provided
- Single updates and 1 – 5 year subscriptions are available for purchase
- Allows remote diagnostics for service

TECHNICAL SPECIFICATIONS

Rim diameter	13" – 22"
Track width	122 – 244 cm (48" – 96")
Wheel base	201 – 457 cm (79" – 180")
Shipping weight	227 kg (501 lbs)
Power requirements	120/230V 1Ph 50/60Hz

AC100 SPECIFICATIONS

Weight	5.2 kg (11.5 lbs)
Construction	Cast aluminum

STANDARD ACCESSORIES

AC100 wheel clamps & targets	Steering wheel holder
Brake pedal depressor	Two wheel chocks
Color inkjet printer	

OPTIONAL ACCESSORIES

AC100 universal wheel clamp extension kit

EMEA-JA

Snap-on Equipment s.r.l. · Via Prov. Carpi, 33 · 42015 Correggio (RE)
Phone: +39 0522 733-411 · Fax: +39 0522 733-479 · www.hofmann-europe.com

Austria

Snap-on Equipment Austria GmbH · Hauptstrasse 24/Top 14 · A-2880 St. Corona/Wechsel (RE)
Phone: +43 1 865 97 84 · Fax: +43 1 865 97 84 29 · www.hofmann-europe.com

France

Snap-on Equipment France · ZA du Vert Galant · 15, rue de la Guivernone BP 97175
Saint-Ouen-l'Aumône · 95056 Cergy-Pontoise CEDEX
Phone: +33 134 48 58-78 · Fax: +33 134 48 58-70 · www.hofmann-france.fr

Germany

Snap-on Equipment GmbH · Konrad-Zuse-Straße 1 · 84579 Unterneukirchen
Phone: +49 8634 622-0 · Fax: +49 8634 5501 · www.hofmann-deutschland.com

Italy

Snap-on Equipment s.r.l. · Via Prov. Carpi, 33 · 42015 Correggio (RE)
Phone: +39 0522 733-411 · Fax: +39 0522 733-410 · www.hofmann-italia.com

United Kingdom

Snap-on Equipment Ltd. · Unit 17 Denney Road, King's Lynn · Norfolk PE30 4HG
Phone: +44 118 929-6811 · Fax: +44 118 966-4369 · www.snapon-equipment.co.uk

